

PARTS LIST

[UX-P5R]

* All printed circuit boards and its assemblies are not available as service parts.

Area suffix	
EV	----- Eastern Europe
EE	----- Russia

- Contents -

EE version

Parts list (General assembly)	3-2
Electrical parts list (Front board)	3-2
(Tuner board)	3-2
Parts list (Accessories)	3-2

EV version

Parts list (General assembly)	3-2
(Accessories)	3-2

EE version

■Parts list (General assembly)

P3-5 Block No. M1MM

A	Item	Parts name	Parts number		
			E version	EE version	Q'ty
	104	RATING LABEL	GV30172-013A	GV30172-014A	1

■Electrical parts list (Front board)

P3-15 Block No. 02

A	Item	Parts name	Parts number	
			E version	EE version
	R7315	C RESISTOR	QRE141J-153Y	QRE141J-103Y

■Electrical parts list (Tuner board)

P3-18 Block No. 04

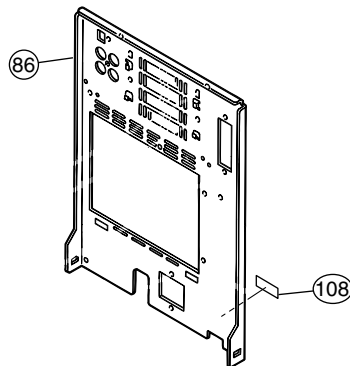
A	Item	Parts name	Parts number	
			E version	EE version
	C 6	C CAPACITOR	NCB21HK-102X	NCB21HK-222X
	C 49	C CAPACITOR	NCS21HJ-471X	-----
	CF 1	C FILTER	QAX0420-001	QAX0403-001
	CF 2	C FILTER	QAX0458-001Z	QAX0403-001
	R 5	RESISTOR	NRSA02J-560X	NRSA02J-750X
	R 6	RESISTOR	NRSA02J-120X	NRSA02J-240X
	TU 1	FRONT END	QAU0160-001	QAU0036-001

■Parts list (Accessories)

P3-23 Block No. M6MM

A	Item	Parts name	Parts number		
			E version	EE version	Q'ty
	A 3	INST BOOK (LANGUAGE)	GVT0053-006A (GER, FRE, DUT)	GVT0053-010A (RUS)	1

EV version



■Parts list (General assembly)

P3-5 Block No. M1MM

A	Item	Parts name	Parts number		
			E version	EV version	Q'ty
	108	B MARK CAUTION	-----	LV41869-001A	1

■Parts list (Accessories)

P3-23 Block No. M6MM

A	Item	Parts name	Parts number		
			E version	EV version	Q'ty
	A 3	INST BOOK (LANGUAGE)	GVT0053-006A (GER, FRE, DUT)	GVT0053-009A (POL, HUN, CZE)	1